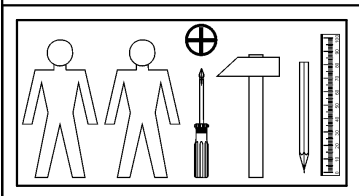
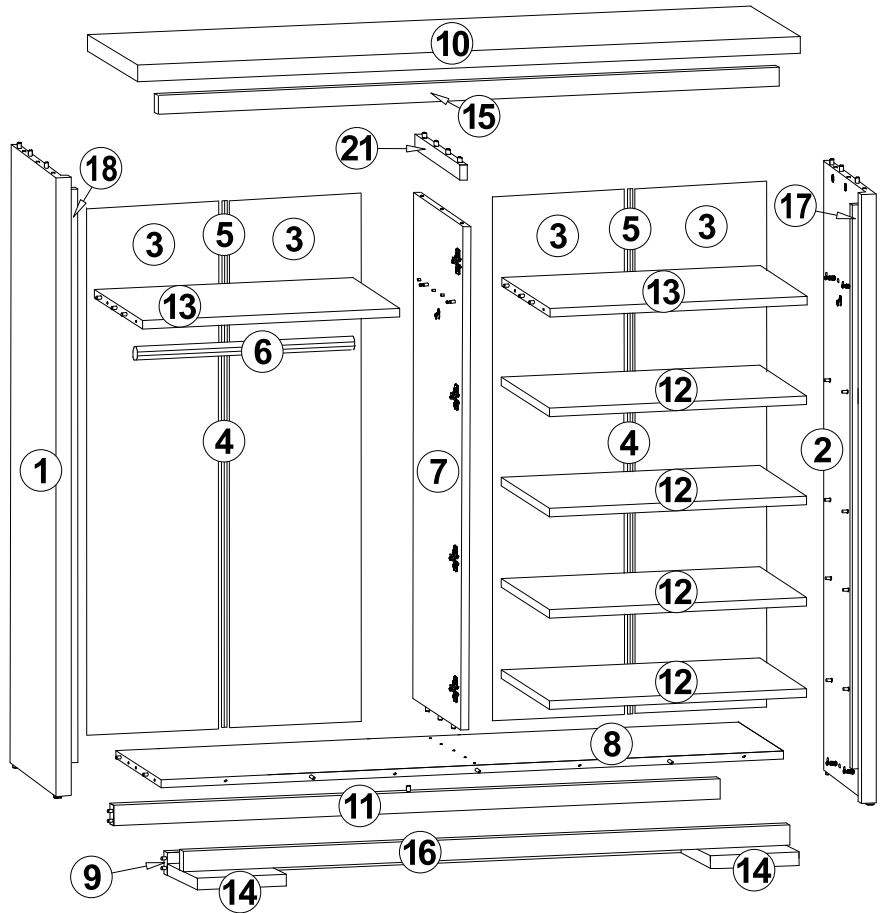
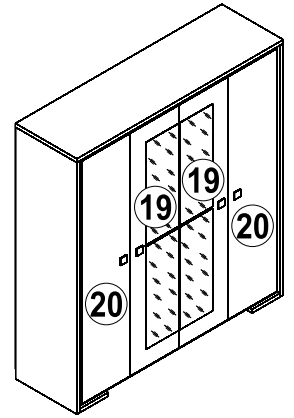
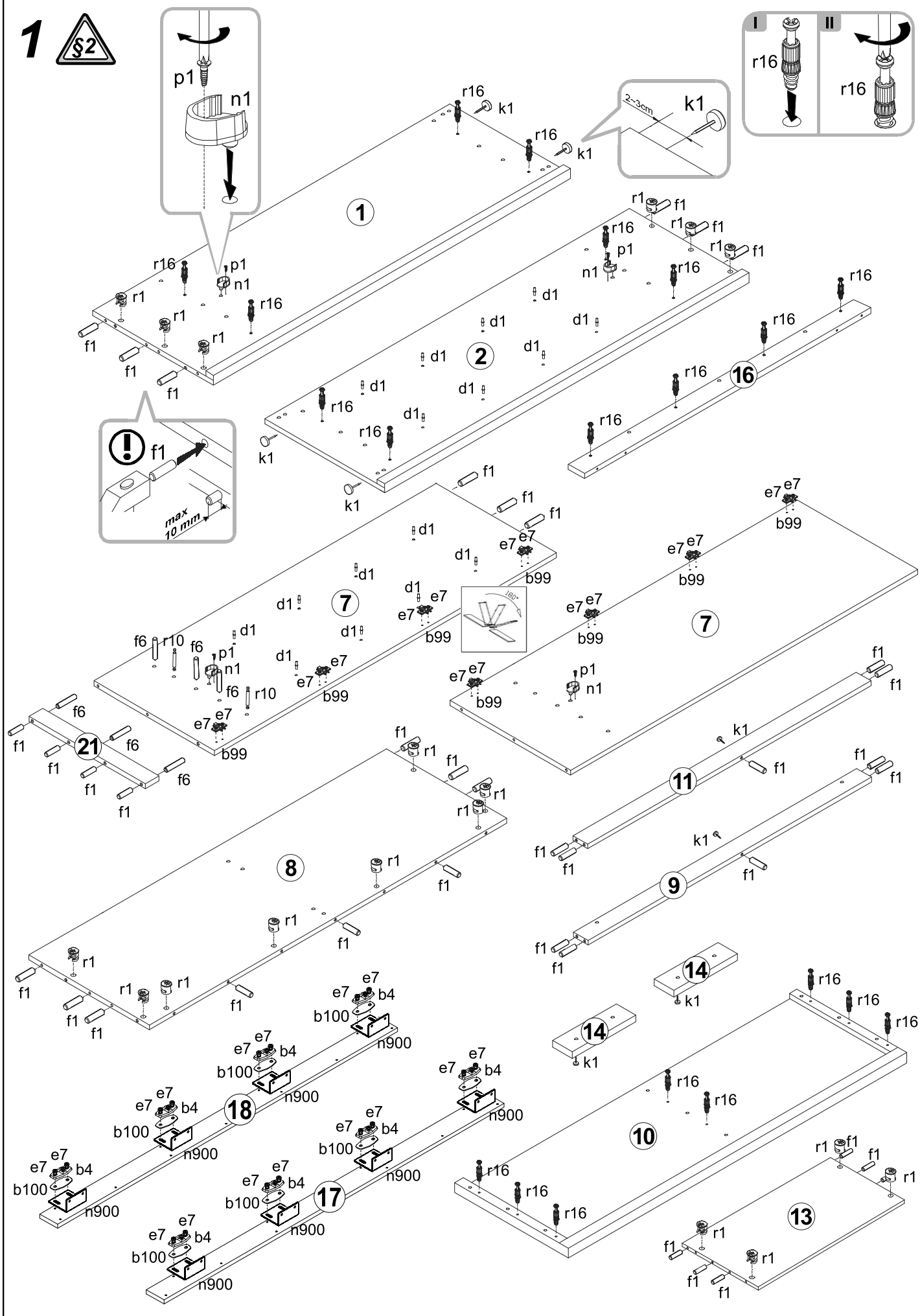


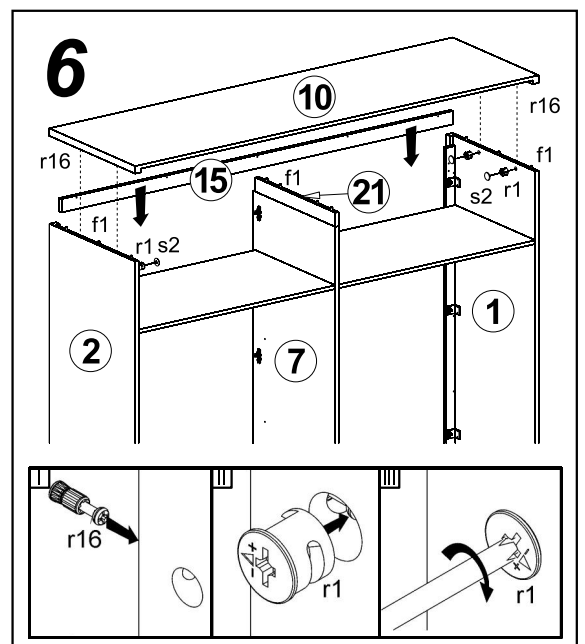
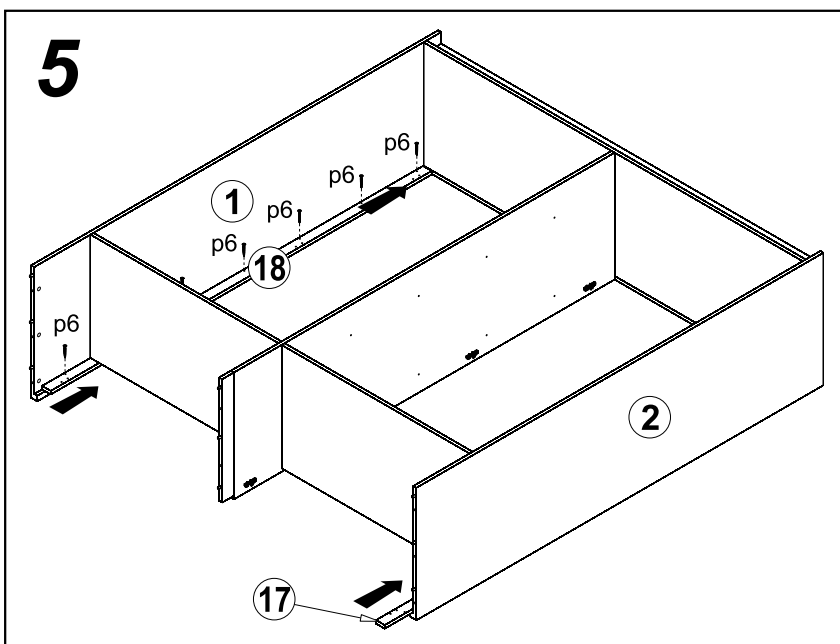
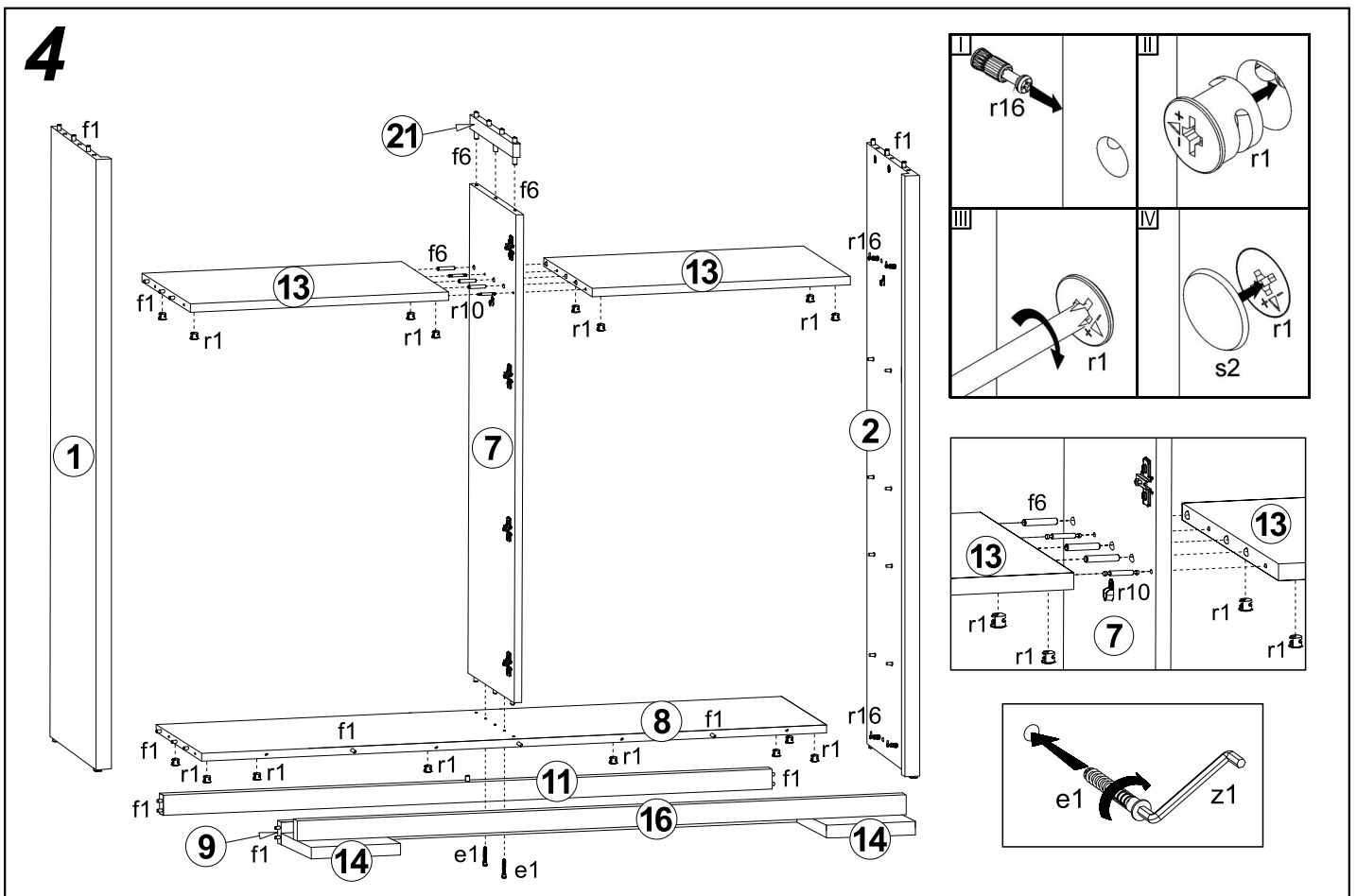
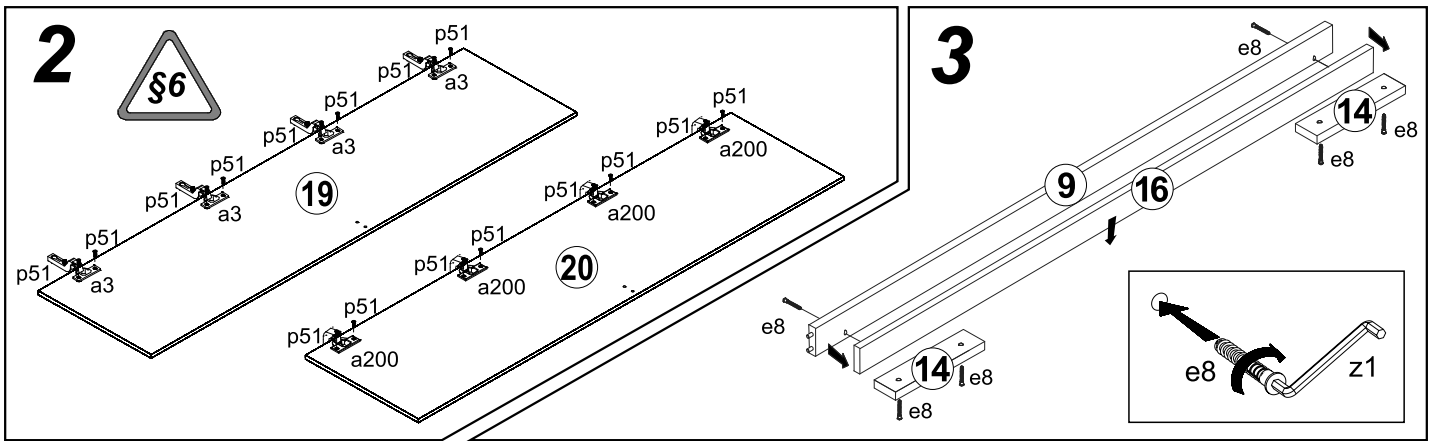
A	B	C		D
1	NK1-101	2112	595	1/5
2	NK1-102	2112	595	1/5
3	NK1-901	2063	498	1/5
4	LH-1711	1711		1/5
5	LH-307	307		1/5
6	DR-969	969		2/5
7	NK1-105	1976	570	2/5
8	NK1-301	1967	554	2/5
9	NK1-402	1967	76	2/5
10	NK1-201	2000	596	2/5
11	NK1-408	1967	76	2/5
12	NK1-303	975	520	3/5
13	NK1-302	975	554	3/5
14	NK1-501	270	65	3/5
15	NK1-404	1939	57	1/5
16	NK1-405	1967	60	1/5
17	NK1-407	1976	45	1/5
18	NK1-406	1976	45	1/5
19	NK1-002	2036	471	4/5
20	NK1-001	2036	471	5/5
21	NK1-401	60	554	2/5



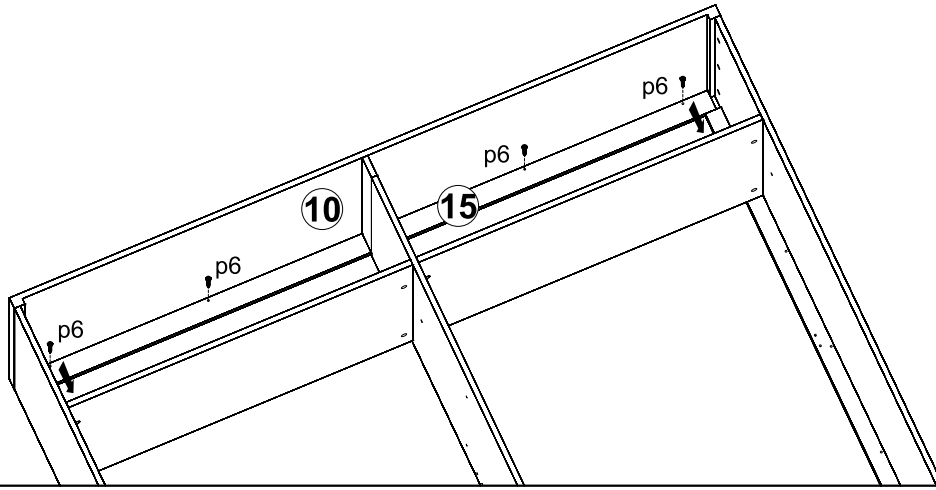
8x  a3	8x  a200	8x  b4	8x  b99	8x  b100	4x  160 mm c212	16x  φ5x17 mm d1
2x  φ7x50 mm e1	16x  φ6,3x16 mm e7	6x  φ7x60 mm e8	38x  φ8x30 mm f1	6x  φ8x50 mm f6	8x  M4x25 mm j8	8x  k1
140x  l1	4x  n1	8x  42x22 mm n900	4x  φ3,5x13 mm p1	16x  φ3,5x13 mm p5	19x  φ4x35 mm p6	16x  φ3,5x15 mm p51
22x  φ15x12mm #16 r1	2x  r10	18x  20/9 r16	16x  φ16 s2	1x  z1		

1

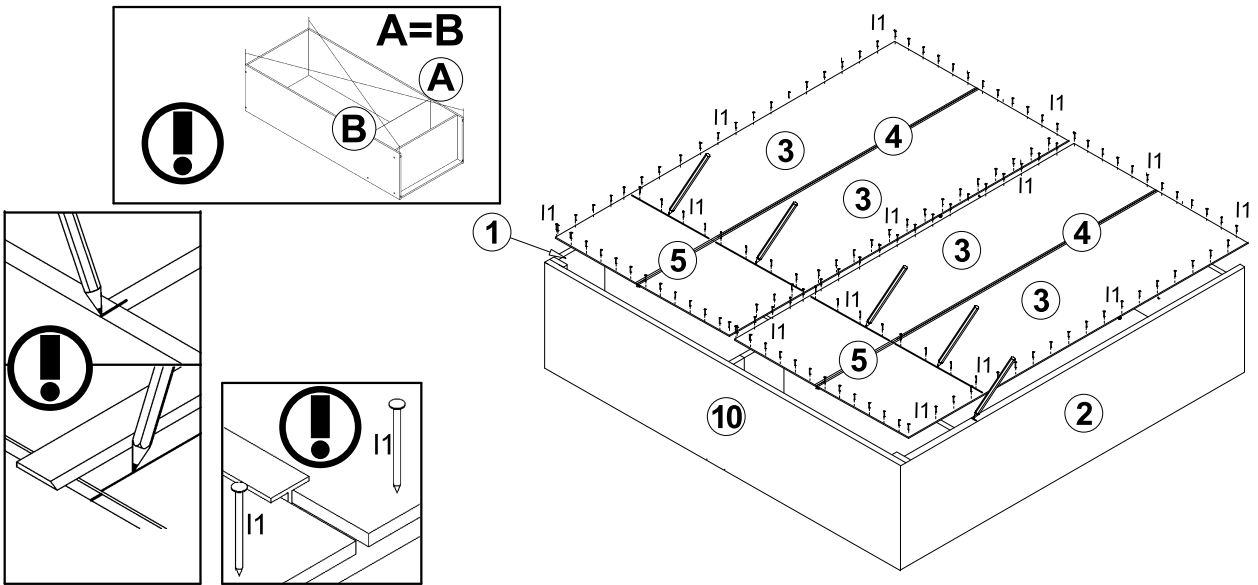




# 7



# 8



# 9

